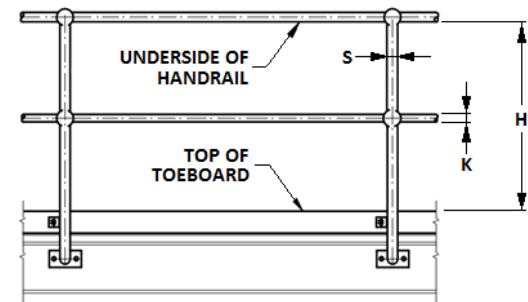


RetroGUARD™ Check Sheet

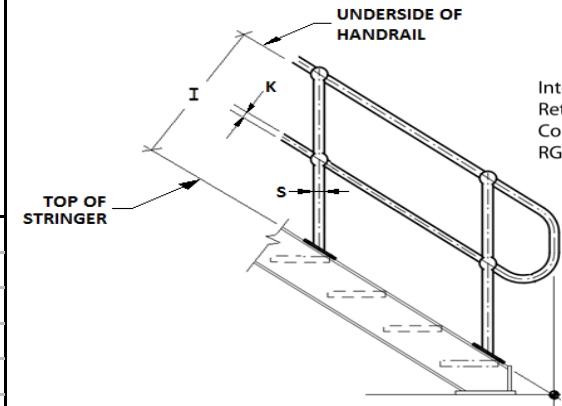
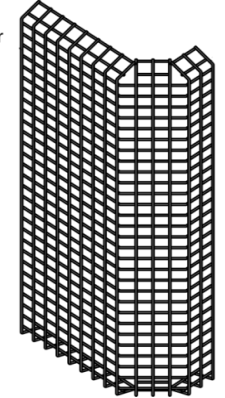
| DIMENSIONS: | VALUE: | DESCRIPTION: |
|-------------|--------|--|
| H | | Handrail Vertical Height |
| S | | Stanchion Diameter, or unique profile dimensions |
| K | | Mid rail Diameter, or unique profile dimensions |
| I | | Stair Handrail Height, right angle to stringer |

| Component | QUANTITY | DESCRIPTION: |
|-------------------|----------|--|
| RGI-720 | | Internal Corner 720 Angle, note 6 |
| C755-90 | | External Corner 755 high 90deg, note 5 |
| | | number of stair runs to be covered |
| U-SET 50x6.35x710 | | Handrail count - stair to platform transition points |
| Platform Guarding | | meters (Platform Handrail Length) |
| Stair Guarding | | meters (Stair Handrail Length) |

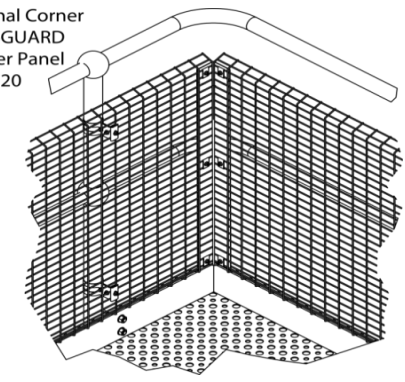
Comments;



External Corner RetroGUARD Corner Panel C755-90



Internal Corner RetroGUARD Corner Panel RGI-720



- Notes:
1. All dimensions in mm unless noted otherwise.
 2. Make multiple measurements, then determine average dimensions above.
 3. Dimensions S & K average to 0.5mm.
 4. Required total lengths for Platform and Stair Handrailing to be shown separately.
 5. C755-90 is for external corners of 90 degree or combine for 180 degree returns
 6. RGI-720 is for internal corners only

Pro3 Safety RetroGUARD system has been designed to suit all varying stanchion design and profiles